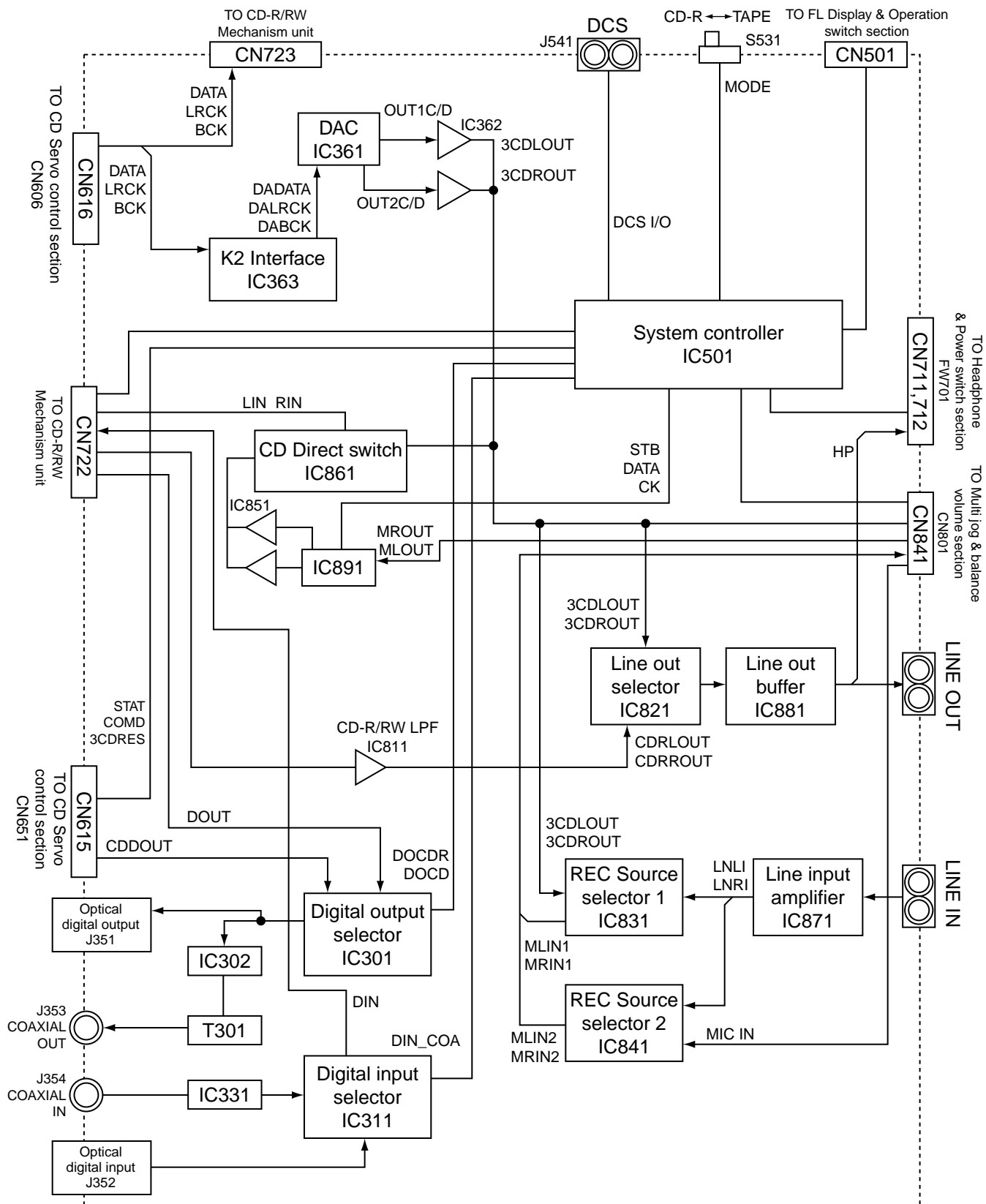


Safety precaution

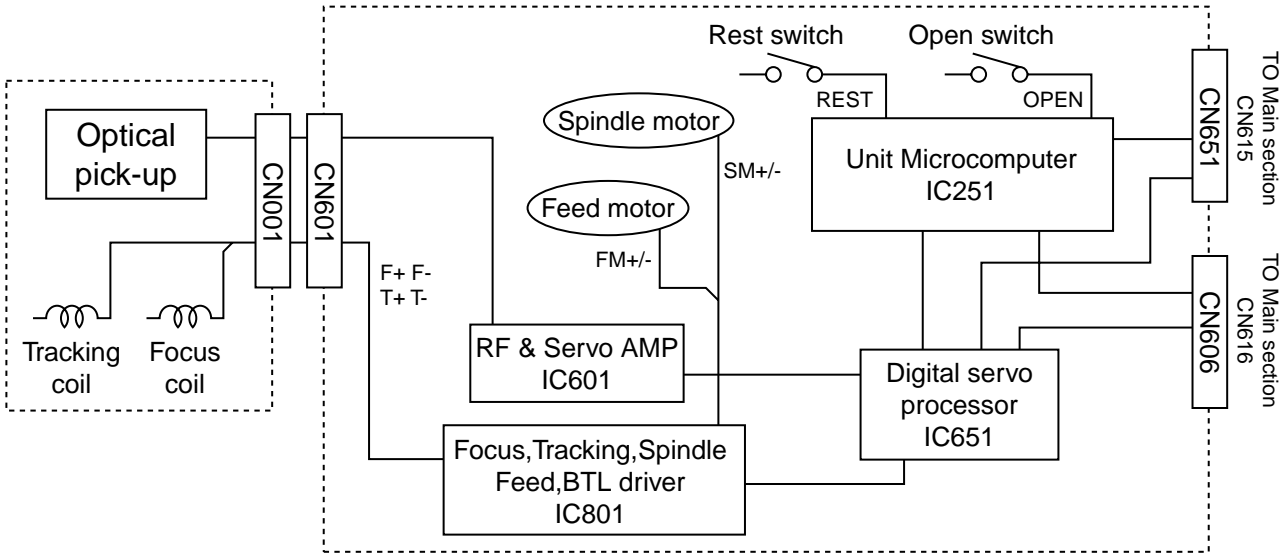
In regard with component parts appearing on the silk-screen printed side (parts side) of the PWB diagrams, the parts that are printed over with black such as the resistor (■), diode (▣) and ICP (●) or identified by the "⚠" mark nearby are critical for safety. When replacing them, be sure to use the parts of the same type and rating as specified by the manufacturer. (Except the JC version)

Block diagrams

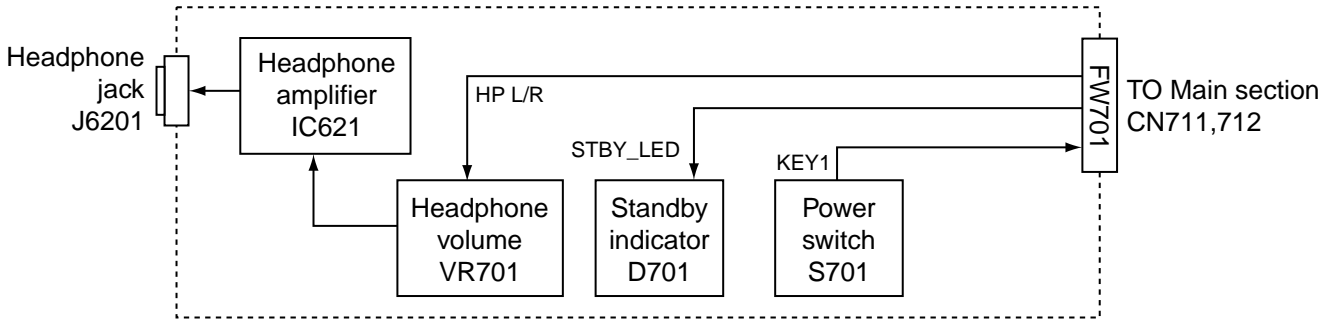
■ Main section (SHEET 1,2)



■ CD Servo control section (SHEET 4)

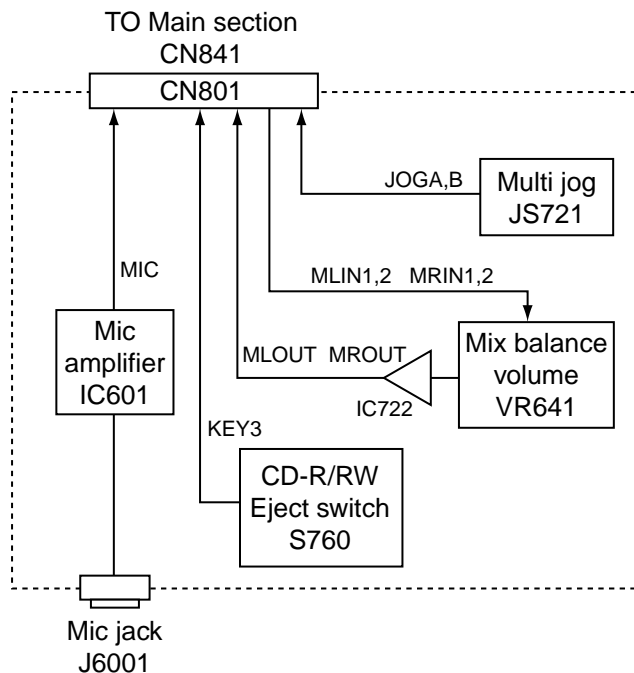
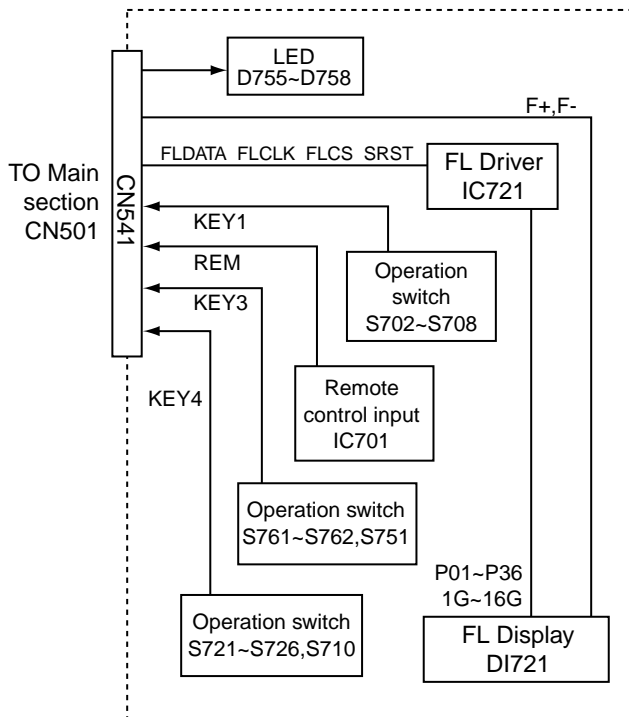


■ Headphone & Power switch section (SHEET 3)



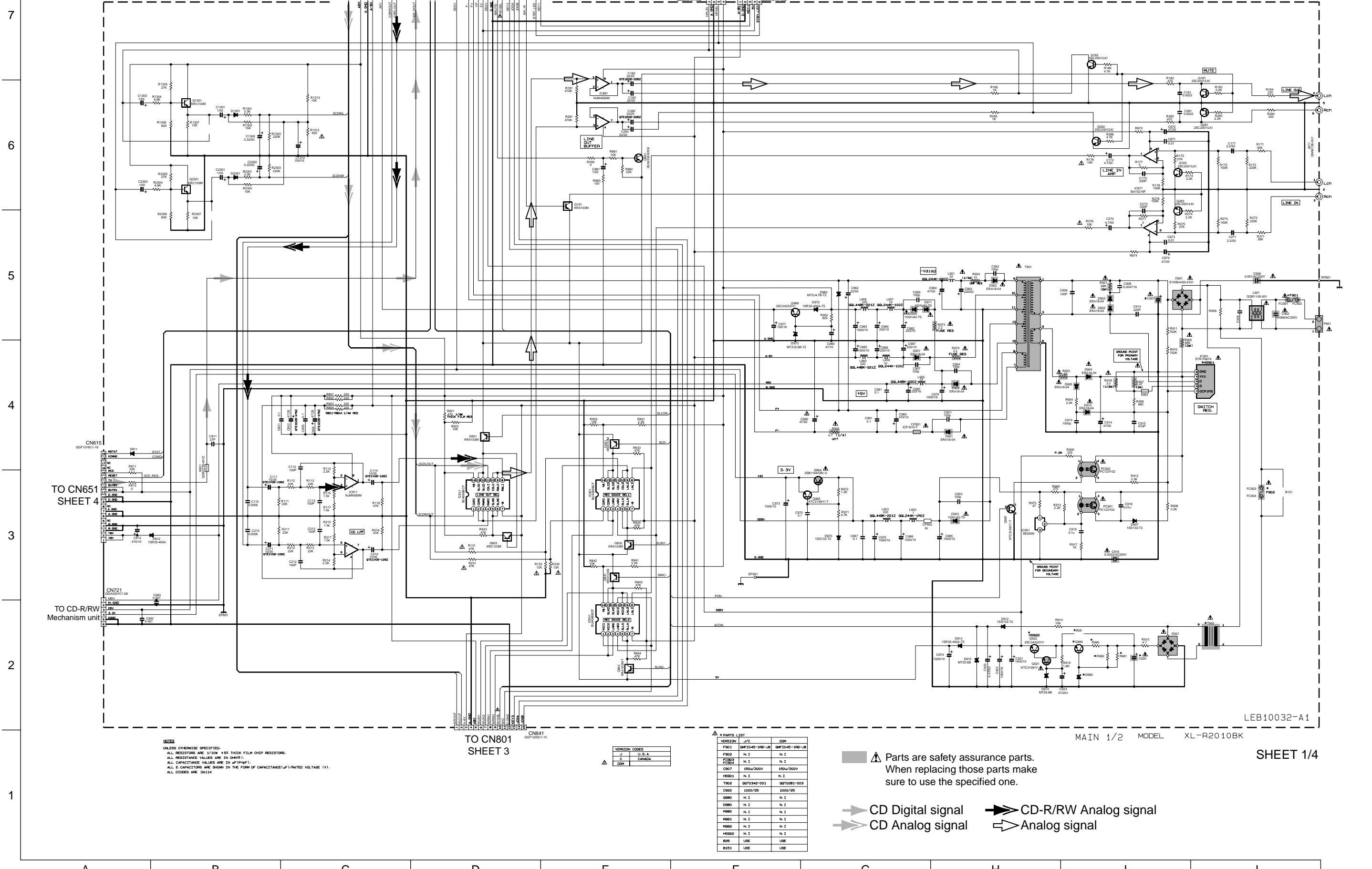
■ FL Display & operation switch section (SHEET 3)

■ Multi jog & Balance volume section (SHEET 3)



Standard schematic diagrams

Power supply & Line input/output section



NOTES
 UNLESS OTHERWISE SPECIFIED,
 ALL RESISTORS ARE 1/16W 5% THICK FILM CHIP RESISTORS.
 ALL RESISTOR VALUES ARE IN OHMS (Ω).
 ALL CAPACITANCE VALUES ARE IN pF (pF).
 ALL ELECTROLYTIC CAPACITORS ARE SHOWN IN THE FORM OF CAPACITANCE (μF)/RATED VOLTAGE (V).
 ALL DIMENSIONS ARE IN MILLIMETERS (MM).

TO CN801 SHEET 3

VERSION	DATE	DESCRIPTION
1.0	2008-01-15	INITIAL RELEASE
1.1	2008-03-10	REVISION A
1.2	2008-05-20	REVISION B
1.3	2008-08-01	REVISION C
1.4	2008-10-15	REVISION D
1.5	2009-01-01	REVISION E
1.6	2009-03-15	REVISION F
1.7	2009-06-01	REVISION G
1.8	2009-08-15	REVISION H
1.9	2009-11-01	REVISION I
2.0	2010-01-15	REVISION J

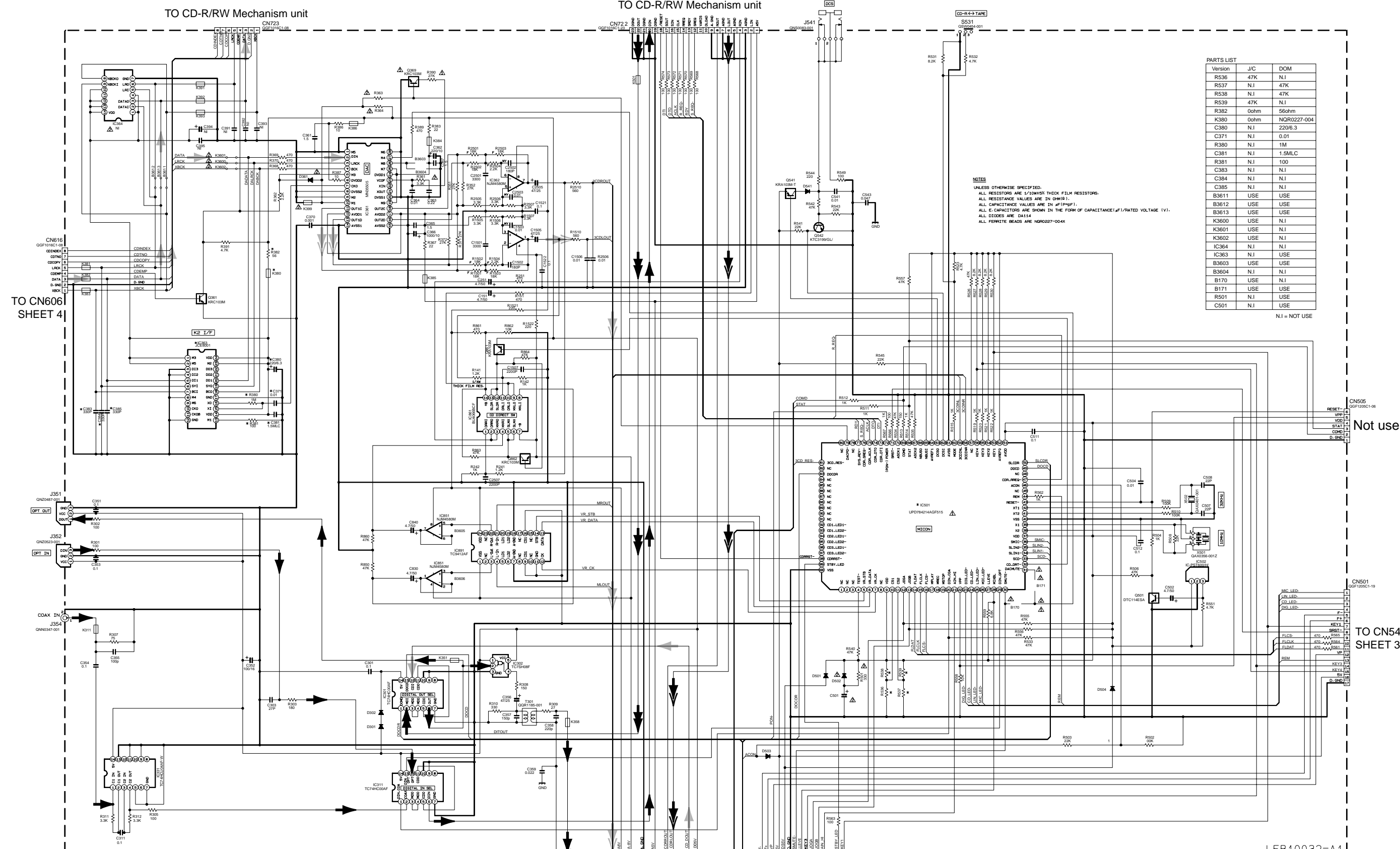
▲ Parts are safety assurance parts. When replacing those parts make sure to use the specified one.

➡ CD Digital signal ➡ CD-R/W Analog signal
 ➡ CD Analog signal ➡ Analog signal

MAIN 1/2 MODEL XL-R2010BK

SHEET 1/4

System control section



PARTS LIST

Version	J/C	DOM
R536	47K	N.I
R537	N.I	47K
R538	N.I	47K
R539	47K	N.I
R382	0ohm	56ohm
K380	0ohm	NOR0227-004
C380	N.I	220/6.3
C371	N.I	0.01
R380	N.I	1M
C381	N.I	1.5MLC
R381	N.I	100
C383	N.I	N.I
C384	N.I	N.I
C385	N.I	N.I
B3611	USE	USE
B3612	USE	USE
B3613	USE	USE
K3600	USE	N.I
K3601	USE	N.I
K3602	USE	N.I
IC364	N.I	N.I
IC363	N.I	USE
B3603	USE	USE
B3604	N.I	N.I
B170	USE	N.I
B171	USE	USE
R501	N.I	USE
C501	N.I	USE

N.I = NOT USE

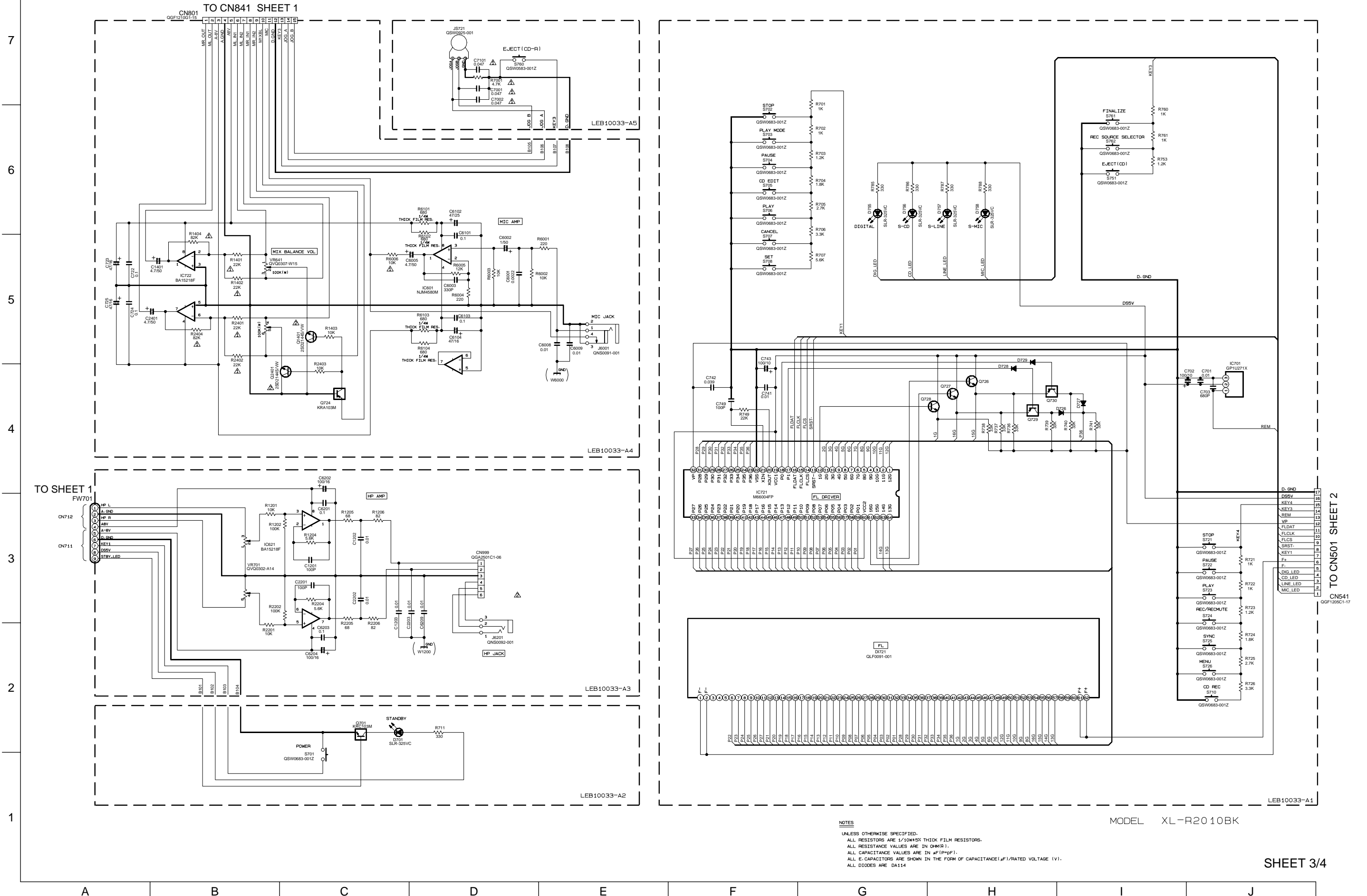
NOTES
 UNLESS OTHERWISE SPECIFIED:
 ALL RESISTORS ARE 1/10W±5% THICK FILM RESISTORS.
 ALL RESISTANCE VALUES ARE IN OHMS (Ω).
 ALL CAPACITANCE VALUES ARE IN pF (PFD).
 ALL E-CAPACITORS ARE SHOWN IN THE FORM OF CAPACITANCE (μF)/RATED VOLTAGE (V).
 ALL DIODES ARE DATA14
 ALL FERRETE BEADS ARE NGR0207-004X

CD Digital signal
 CD Analog signal
 CD-R/RW Digital signal
 CD-R/RW Analog signal
 Digital signal

Not use

TO CN541 SHEET 3

FL Display & operation switch section



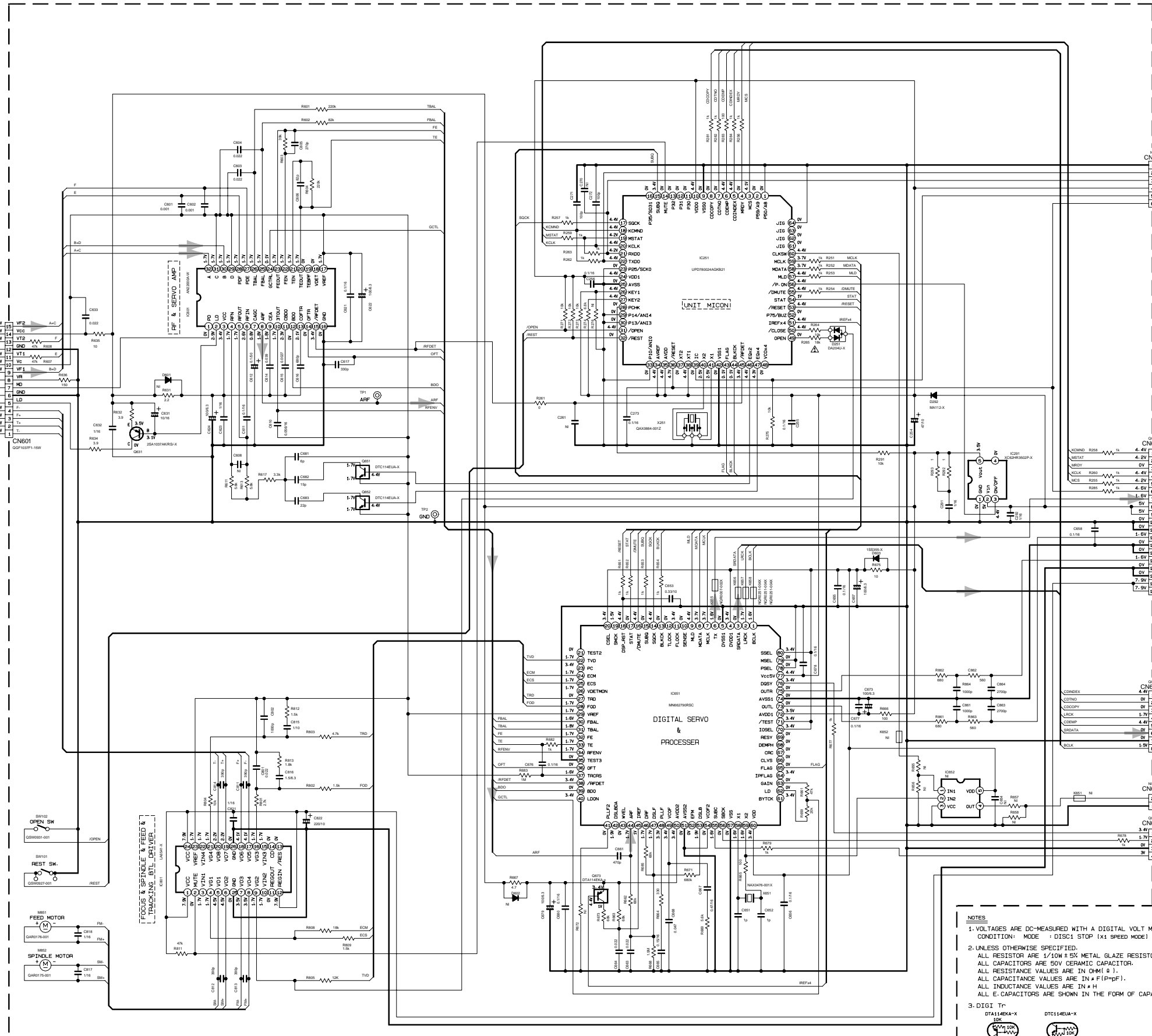
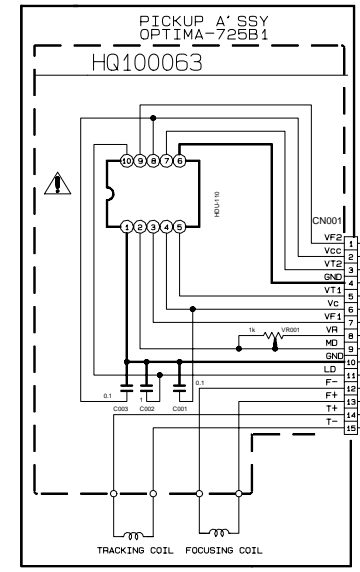
NOTES
 UNLESS OTHERWISE SPECIFIED,
 ALL RESISTORS ARE 1/10W±5% THICK FILM RESISTORS.
 ALL RESISTANCE VALUES ARE IN Ω(MΩ).
 ALL CAPACITANCE VALUES ARE IN μF(pF).
 ALL CAPACITORS ARE SHOWN IN THE FORM OF CAPACITANCE(μF)/RATED VOLTAGE (V).
 ALL DIODES ARE DA114

MODEL XL-R2010BK

SHEET 3/4

■ Servo control section

7
6
5
4
3
2
1



Not use

TO CN615 SHEET 1

TO CN616 SHEET 2

Not use

- NOTES
1. VOLTAGES ARE DC-MEASURED WITH A DIGITAL VOLT METER
CONDITION: MODE : DISC1 STOP (x1 SPEED MODE)
 2. UNLESS OTHERWISE SPECIFIED.
ALL RESISTORS ARE 1/10W ± 5% METAL GLAZE RESISTOR.
ALL CAPACITORS ARE 50V CERAMIC CAPACITOR.
ALL RESISTANCE VALUES ARE IN OHM (Ω).
ALL CAPACITANCE VALUES ARE IN P (pF).
ALL INDUCTANCE VALUES ARE IN H
 3. DIGI Tr
DTA114EUA-X
DTC114EUA-X

MODEL FMU-N1

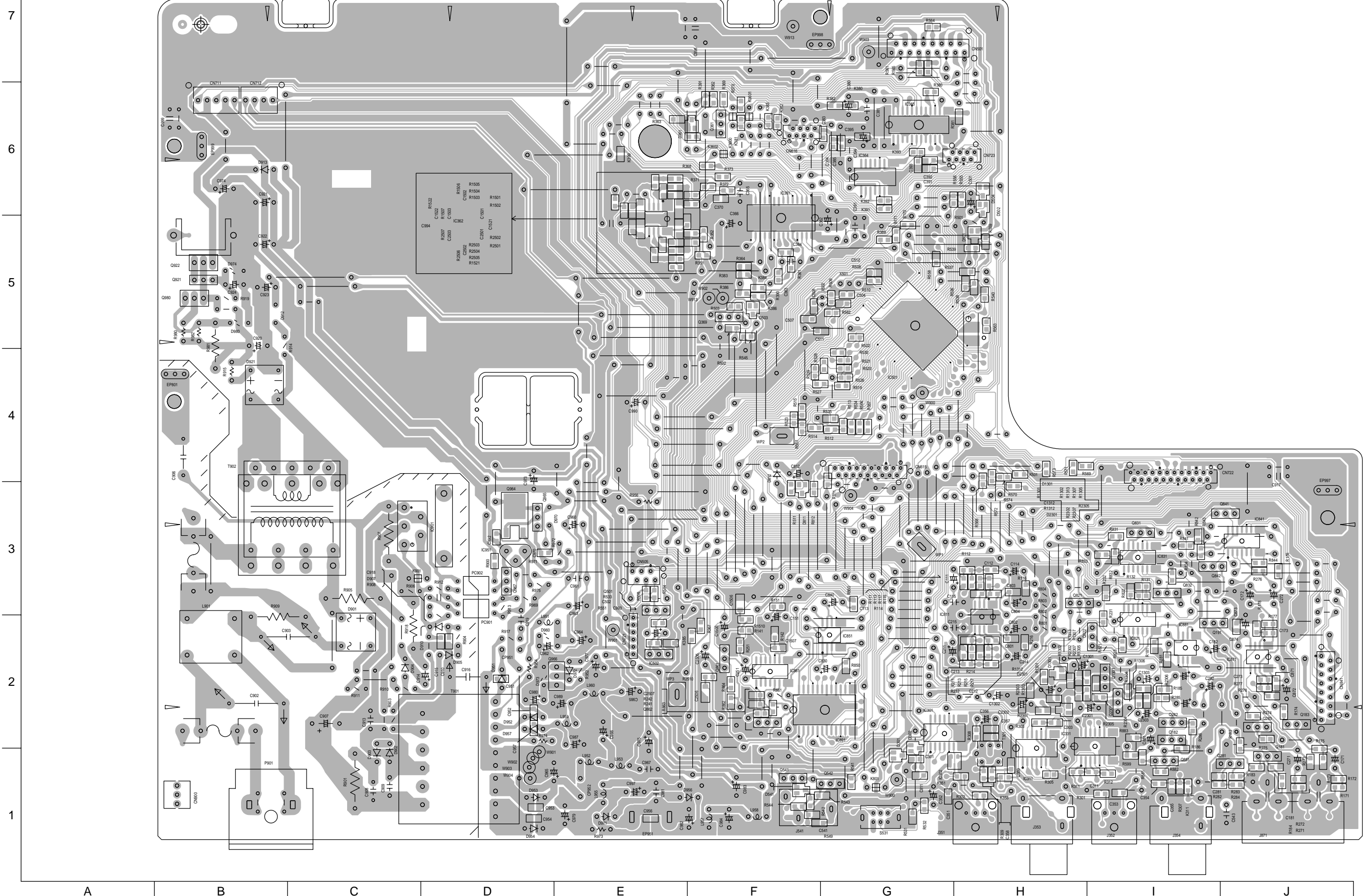
➔ CD Digital signal

SHEET 4/4

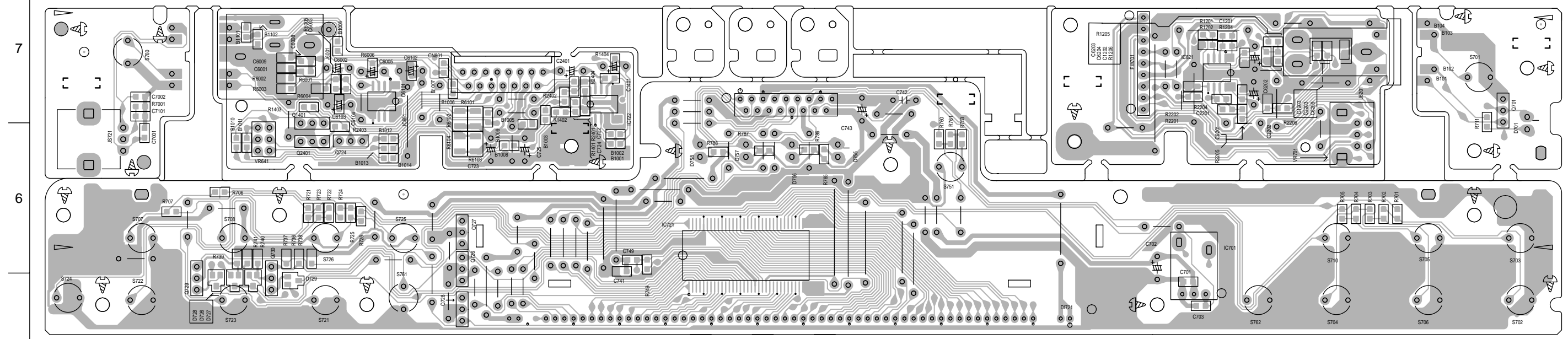
A B C D E F G H I J

Printed circuit boards

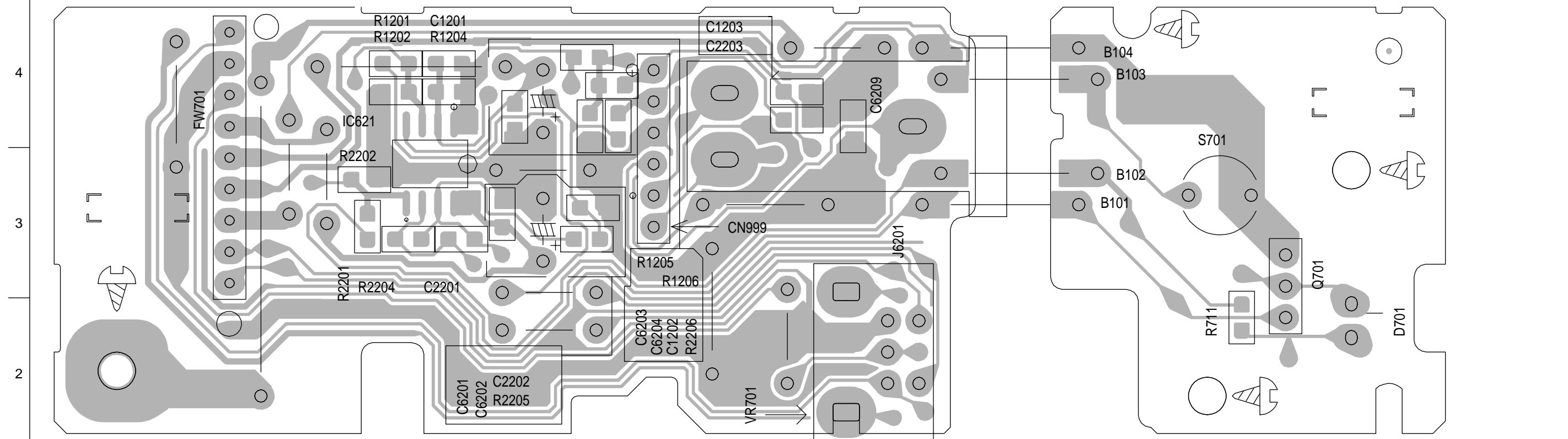
■ Main board



■ Front board



■ Headphone & Power button board

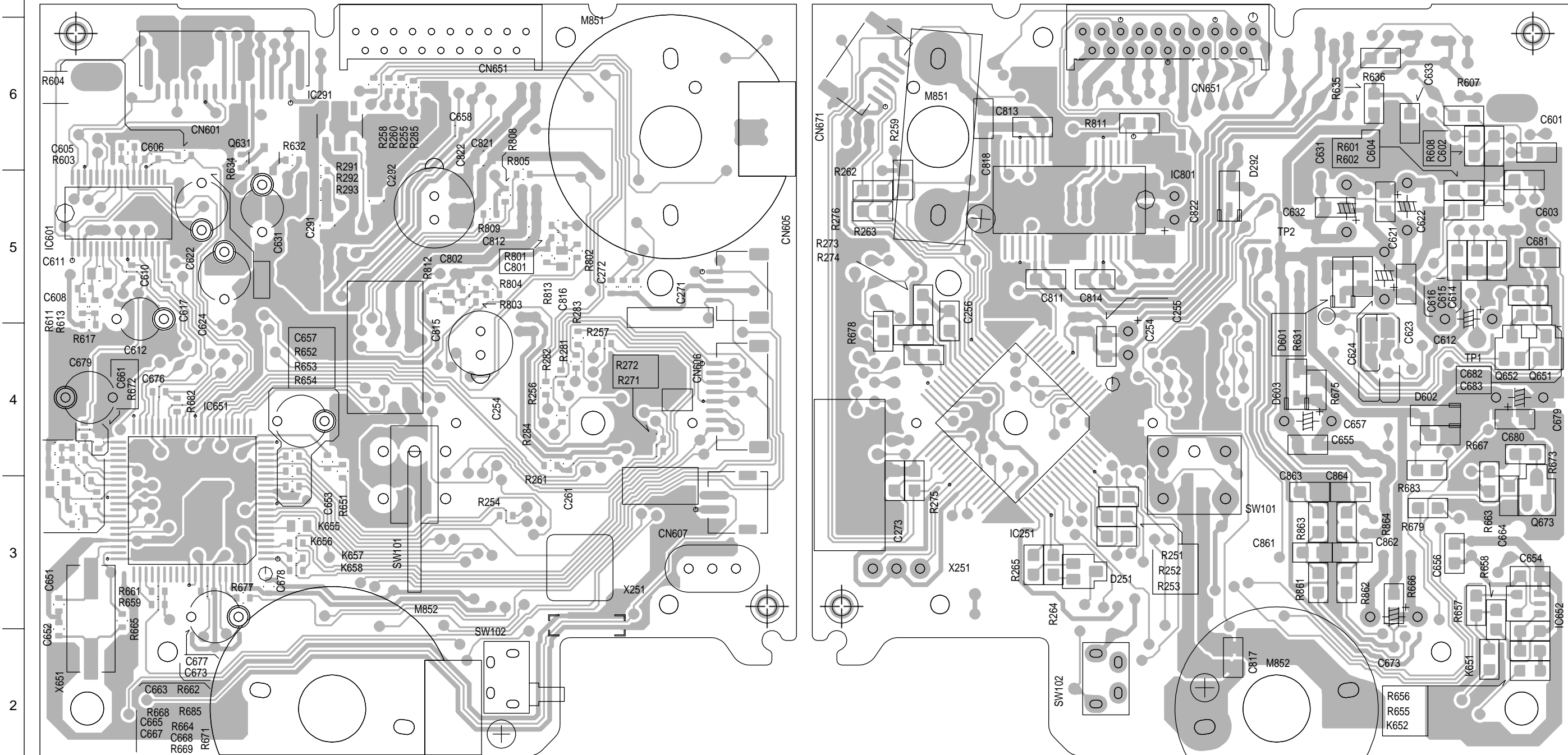


■ CD Servo control board

7

Forward side

Reverse



1

A B C D E F G H I J